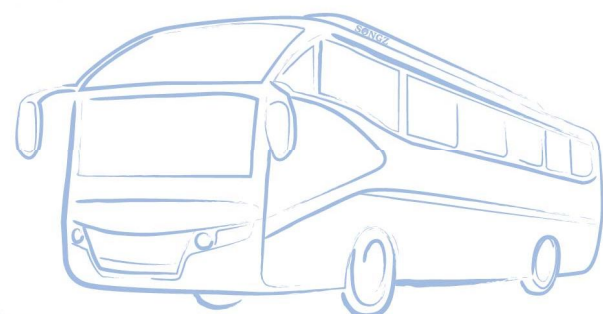


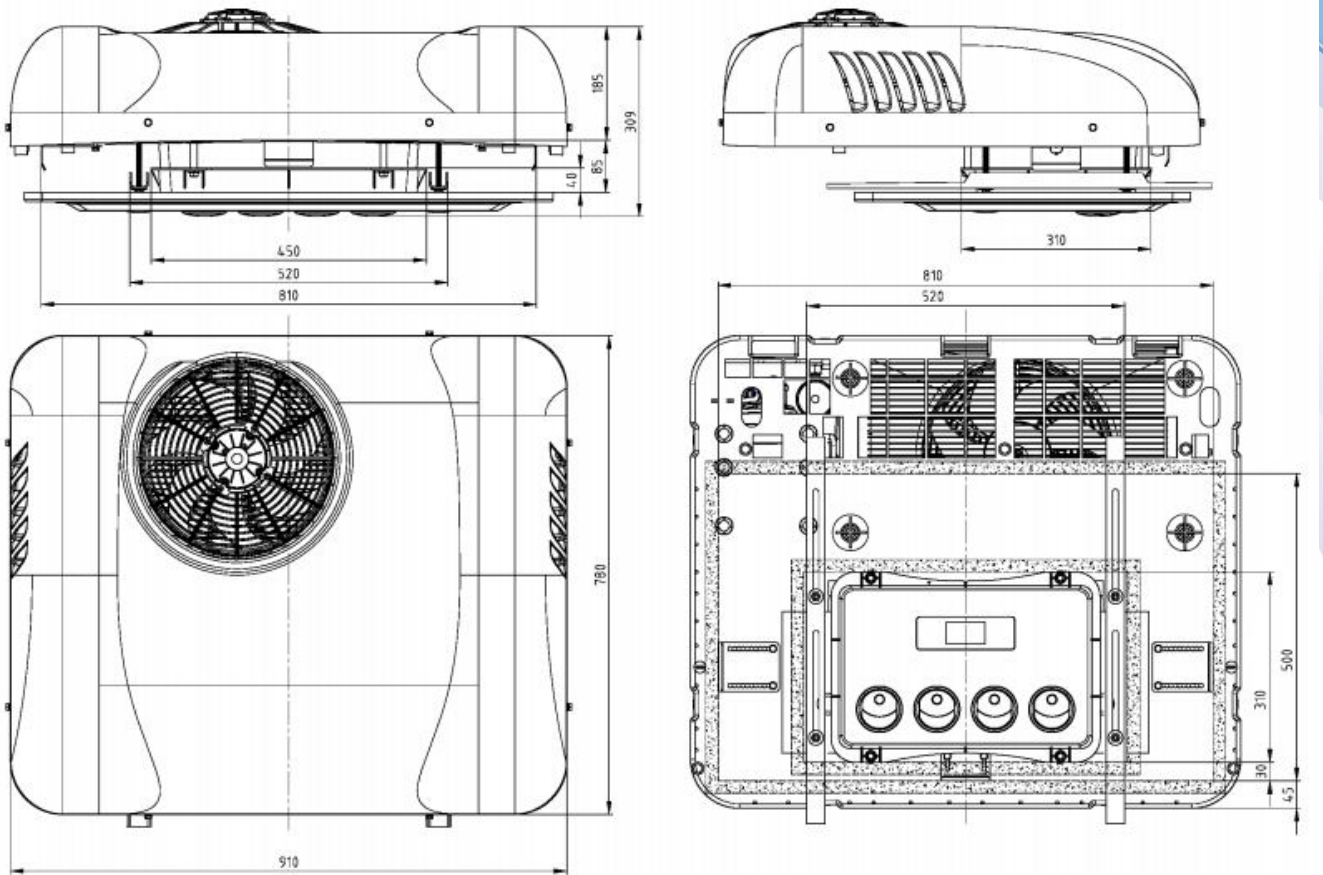
SONGZ product specification&drawings for RZY20H



Cooling Capacity (Inside 27°C/ 19.5°C / Outside 35°C)		3.5 kW
Heating Capacity		1.5 kW
Working condition		-30°C~50°C
Roof	External Dimension	780x910x185(mm)
	Internal dimensions	550x865 / 450x765
	Install opening size (min)	310x520
	Install opening size (max)	500x810
	Weight	34 kg
	Air Flow Volume	600 m3/h
Refrigerant	Type	R134a
	Recommended Charge Weight	0.65 kg
Power Supply		24V
Power		0.3~1.1 kW



Roof unit:



Control panel:

